

8-Button IR Panel

Product Number: CB-1000

FEATURES

- Built-in IR learning
- Single or Dual IR Output
- On-board Schedule
- Security Passcode
- Audible button click
- Backlighting
- Automated cloning
- Single-gang mount
- Serial programming port with software
- 12 VDC power

BENEFITS

- Subtle, modern look
- Visible and audible user feedback
- Control any IR device
- Field configurable
- Scalable
- Easy setup

The CB-1000 is an economical single-gang, wall-mount IR button panel that offers eight programmable tactile buttons, useful for controlling projectors, DVD players and other AV gear. As a stand-alone controller, the IR output of the CB-1000 is wired directly to the devices being controlled. Alternatively, the IR output of a CB-1000 can serve as input triggers to Calypso Pro I/O or ION controllers, expanding the number and type of devices being controlled.

CB-1000 set up, including IR learning, is fast and reliable using an on-board serial programming port and CB-1000 Config Software. Simply learn the IR code with the built-in IR learner and assign the code to a button. Once fully programmed, the entire CB-1000 configuration can be automatically and quickly copied to additional units through the on-board serial programming port. In addition, the CB-1000 offers passcode security to lock or unlock the button panel, and scheduled control through an on-board clock.

To complete the solution, a set of 24 individual, pre-labeled button "caps" are included with each CB-1000. Select the appropriate button, mount the button on the surface of the CB-1000 and lock everything down with a standard Decora™ face plate. The result is a professional, robust and versatile wall mount control solution.

Connect. Configure. Create.

Automated
Serial Cloning

8 Tactile
Buttons

24 Unique
Button Caps



Up to 4 IR
codes per
button

Decora™
Compatible

Audible
button click

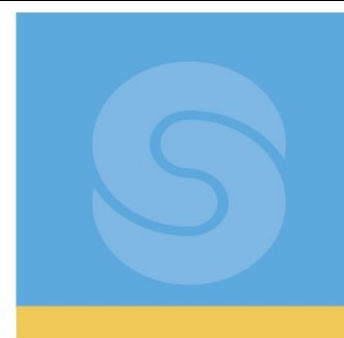


calypso control systems
www.calypsocontrol.com

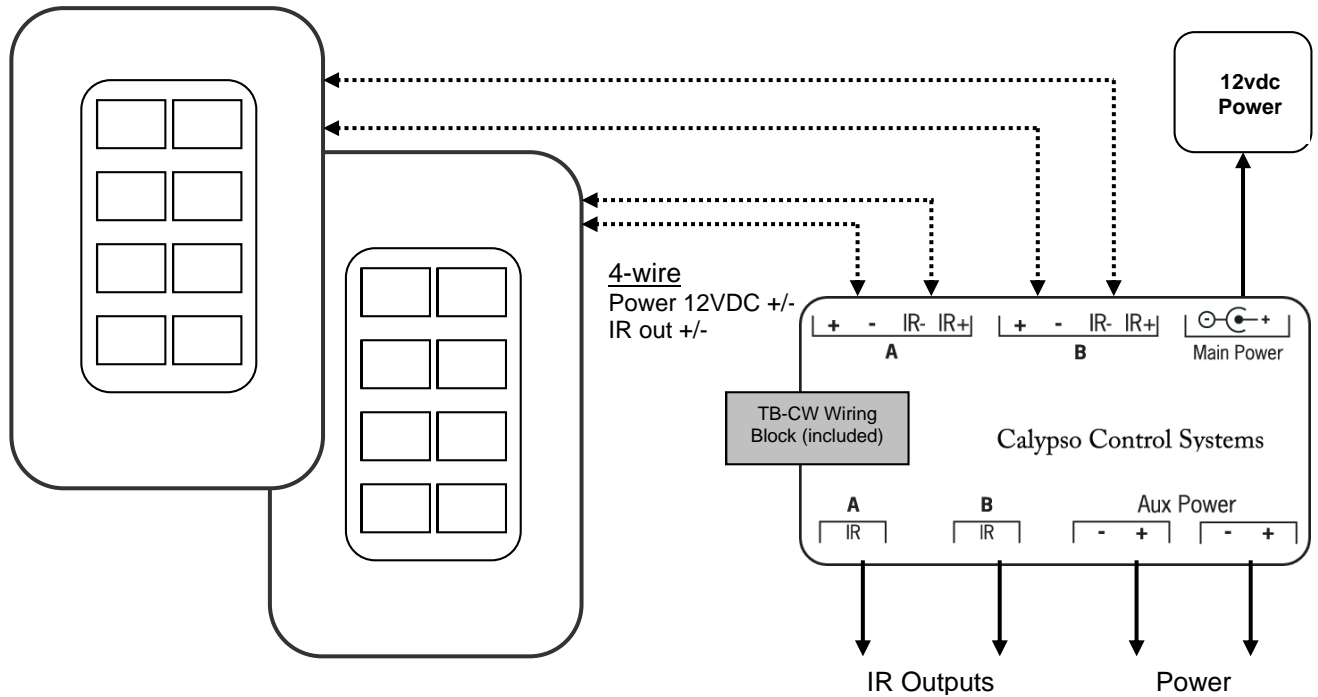


8-Button IR Panel

Product Number: CB-1000



Wiring Diagram



Button Labels

			MIC
			Proj
Video		Input	
	Vol		On
	Scrn		CH
	Off		Light

Specifications

Format	Single-gang, Decora
Weight	3.6 oz
Power Supply	12VDC, 125mA
Output type	IR Emitter
Current-Limiting Resistor	360 Ohm / 8ma Drive
Recommended Wire:	22-24 Gauge (Cat-5)
CW-TB Dimensions	2" W x 1.75 H x .5" D

Calypso Control Systems, Inc.
 944 O'Keefe Road
 Hudson, WI 54016
 Tel: 715-381-9646
 Fax: 715-381-9647
www.calypsocontrol.com

